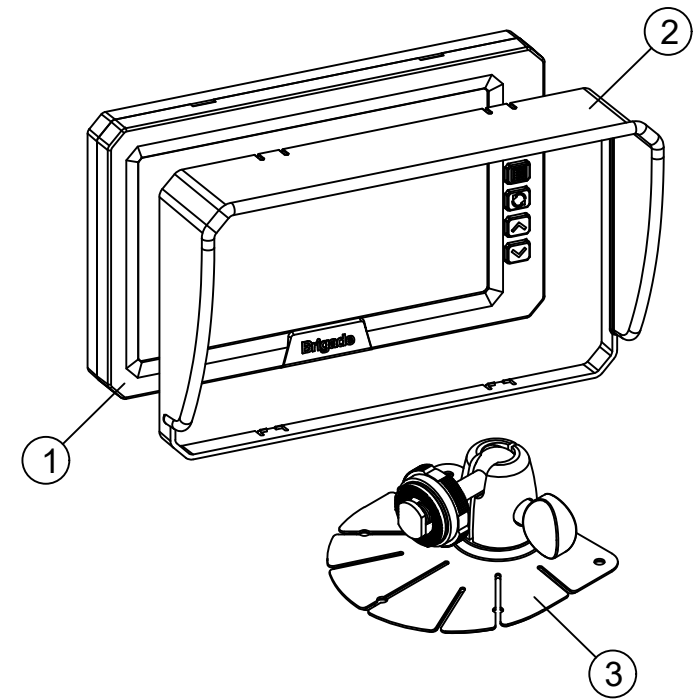
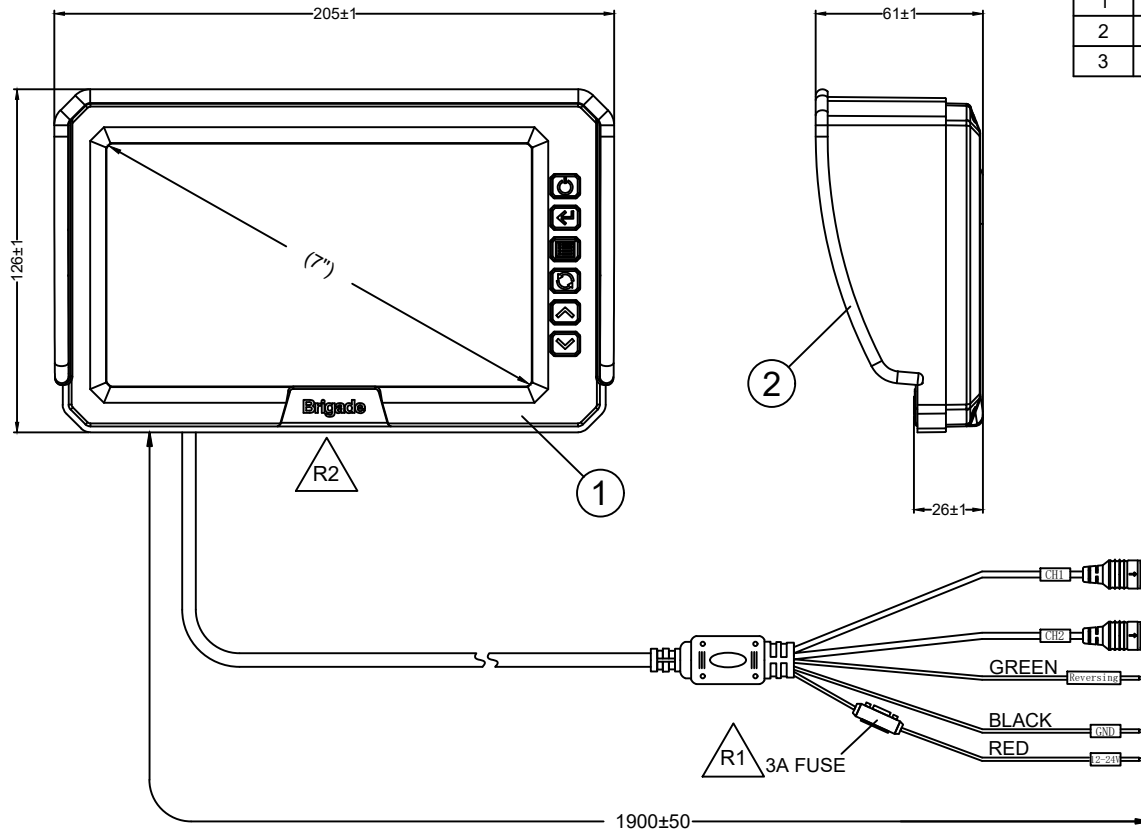


Revision Notes.

R1 - FUSE UPDATED TO 3A FROM 2A					
APA: KEN WONG	Drawn:R.TIMMS	Checked:A.KING	Approved:J.N BATOURL	Date: 2.12.2024	
R2 - UPDATED HOUSING LOGO TO BRIGADE 2025 LOGO AND PUT INTO NEW FRAME - CR-A1147					
APA: KEN WONG	Drawn:R.TIMMS	Checked:A.KING	Approved:J.N BATOURL	Date: 19.5.2025	

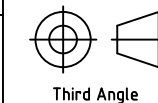
MONITOR ASSEMBLY: VBV-6170M (7598)

ITEM	PART NO.	QTY	MODEL NO.	DESCRIPTION
1	8079	1	VBV-6170M-M	ESSENTIAL 7" MONITOR ONLY
2	5755	1	VBV-670M-SS	ESSENTIAL 7" MONITOR SUNSHIELD
3	5777	1	VBV-670M-BKT	ESSENTIAL 7" MONITOR BRACKET



- NOTES:**
1. FOR PRODUCT LABELS AND PACKAGING DETAILS REFER TO MASTER BOM.
 2. FOR COMPONENT DETAIL REFER TO COMPONENT DRAWINGS.
 3. FOR SPECIFICATION DETAILS REFER TO PRODUCT SPECIFICATION (PS).
 4. FOR INSTALLATION DETAILS REFER TO INSTALLATION GUIDE.
 5. FUSE HOLDER MAY CHANGE ALTHOUGH FUNCTION AND RATING MUST REMAIN THE SAME.
 6. ANY CUSTOMER MODIFICATION OF THIS PRODUCT CAUSING SUBSEQUENT FAILURE IS NOT A LIABILITY OF BRIGADE ELECTRONICS PLC.

PROPRIETARY NOTICE
 THIS DESIGN AND TECHNICAL INFORMATION APPEARING ON THIS DRAWING IS THE PROPERTY OF BRIGADE ELECTRONICS, AND IS DISCLOSED IN CONFIDENCE. IT IS NOT TO BE COPIED, REPRODUCED, REVEALED TO OR EXPROPRIATED BY OTHERS, EITHER IN WHOLE OR IN PART WITHOUT THE EXPRESS WRITTEN CONSENT OF BRIGADE ELECTRONICS.



Sheet 1 of 1	Assembly PI Approval KEN WONG	Approved by JN BATOURL	Checked by A. FOSTER	Drawn by R. TIMMS
Customer Approval -	Angle of Projection	Units mm	Scale N/A	Released 26/06/24
		Status DRAFT	Part No 7598	
		VBV-6170M		Assembly Ref BE-004916-02-24